

THE DATALINE SERIES

Data protection Modules

Features

- Compact size
- Easy installation
- Screw termination
- High surge capability

This unit is designed for the protection of multiple signal lines for data, alarm panels, process control, audio and access control panels. Easy to use, these devices have small footprints and connections are made by means of screw connectors.

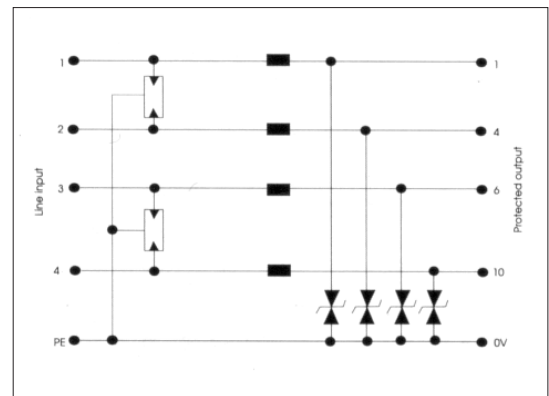
12-00012

rev_1



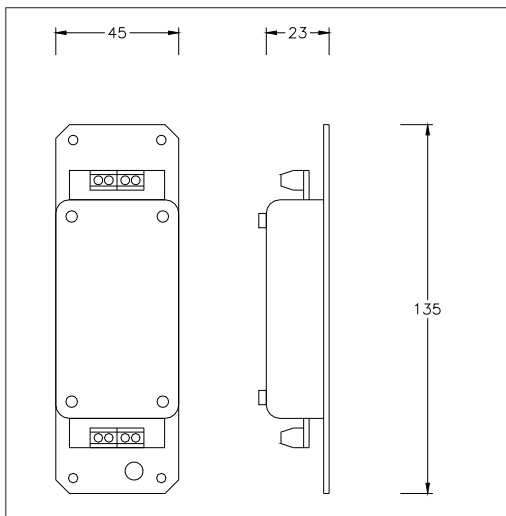
Specification	
Max. operation voltage	See order code table
Max. continuous current	0.3A
Max. discharge current (Differential mode)	10kA
Max. discharge current (Common mode)	10kA
Response time	10ns
Residual voltage (Differential mode)	Approx. 1.8Vmax
Residual voltage (Common mode)	Approx. 1.8Vmax
Temperature range	-20°C to +70°C

Order code	
12-00011	± 6VDC
12-00012	± 15VDC
12-00087	± 25VDC



Series 130

Dimension



Designed and Manufactured by:

Clearline Protection Systems (Pty) Ltd

385 Roan Crescent Corporate Park North, Old Pta Road,

Midrand, South Africa

P.O. Box 5985, Halfway House, 1685

Tel: +27 (0) 11 848-1100

Fax: +27 (0) 11 314-3880

E-mail: info@clearline.co.za

www.clearline.co.za

