

# DH-HAC-LC1220T-TH

## 2MP HDCVI Temperature & Humidity Camera

### HDCVI



- Max 30fps@1080P
- 3.6mm fixed lens (2.8mm, 6mm optional)
- Max. IR length 20m, Smart IR
- Built-in temperature & humidity sensor
- Detection range: -40°C~60°C, 10-95% RH
- IP67, DC12V



### System Overview

Experience a comprehensive surveillance system linking HDCVI video with information from sensors, such as temperature and humidity. The camera offers high quality 1080P video and a multi-language OSD. It is also able to collect temperature and humidity information with a built-in sensor, enabling users to enhance production efficiency and to receive warnings of potential risks linked with visual evidence, allowing them to secure personnel and property across multiple dimensions. This camera is especially suitable for applications which are sensitive to the environmental changes, such as farming and warehouse operations.

### Functions

#### 4 Signals over 1 Coaxial Cable

HDCVI technology supports 4 signals to be transmitted over 1 coaxial cable simultaneously, i.e. video, audio\*, data and power. Dual-way data transmission allows the HDCVI camera to interact with the HCVR, such as sending control signal or triggering alarm. Moreover, HDCVI technology supports PoC for construction flexibility.

\* Audio input is available for some models of HDCVI cameras.

#### Long Distance Transmission

HDCVI technology guarantees real-time transmission at long distance without any loss. It supports up to 800m(1080P)/1200m(720P) transmission via coaxial cable, and up to 300m(1080P)/450m(720P) via UTP cable.\*

\*Actual results verified by real-scene testing in Dahua's test laboratory.

#### Simplicity

HDCVI technology inherits the born feature of simplicity from traditional analog surveillance system, making itself a best choice for investment protection. HDCVI system can seamlessly upgrade the traditional analog system without replacing existing coaxial cabling. The plug and play approach enables full HD video surveillance without the hassle of configuring a network.

#### Smart IR

The camera is designed with microcrystalline LED IR illumination for best lowlight performance. Smart IR is a technology to ensure brightness uniformity in B/W image under low illumination. Dahua's unique Smart IR adjusts to the intensity of camera's infrared LEDs to compensate for the distance of an object, and prevents IR LEDs from overexposing images as the object come closer to the camera.

#### Temperature & Humidity Sensing

The camera is integrated with built-in sensor and is able to transmit real-time temperature and humidity information to the recorder along with video. Taking advantage of a high precision sensor, ventilated design, and advanced compensation algorithm, temperature measurement accuracy can reach  $\pm 2^{\circ}\text{C}$  and humidity measurement accuracy can reach  $\pm 5\% \text{RH}$ .

\* Temperature and humidity measurement feature is only available for CVI mode.

#### Multi-language OSD

OSD menu provides multiple image adjustments and function settings to meet the requirements of different monitoring scenes. The OSD menu includes configurations such as backlight mode, day/night, white balance, privacy mask and motion detect. The camera supports 11 languages for OSD menu, namely, Chinese, English, French, German, Spanish, Portuguese, Italian, Japanese, Korean, Russian and Polish.

#### Protection

The camera's outstanding reliability is unsurpassed due to its rugged design. The camera is protected against water and dust with IP67 ranking, making it suitable for indoor or outdoor environments.

With working temperature range of -40 °C to +60 °C (-40 °F to +140 °F), the camera is designed for extreme temperature environments.

Supporting  $\pm 30\%$  input voltage tolerance, this camera suits even the most unstable power supply conditions. Its 4KV lightning rating provides protection against the camera and its structure from the effects of lightning.

**Technical Specification****Camera**

Image Sensor	1/2.9" CMOS
Effective Pixels	1920(H)×1080(V), 2MP
Scanning System	Progressive
Electronic Shutter Speed	PAL: 1/25~1/100000s NTSC: 1/30~1/100000s
Minimum Illumination	0.02Lux/F2.0, 0Lux IR on
S/N Ratio	More than 65dB
IR Distance	Up to 20m (66feet)
IR On/Off Control	Auto / Manual
IR LEDs	12

**Lens**

Lens Type	Fixed lens / Fixed iris
Mount Type	Board-in
Focal Length	3.6mm (2.8mm, 6mm Optional)
Max Aperture	F2.0
Angle of View	H: 82.8° (104°/51.2°)
Focus Control	N/A
Close Focus Distance	800mm (600mm/1800mm) 31.5" (23.6"/70.9")

**DORI Distance**

Note: The DORI distance is a "general proximity" of distance which makes it easy to pinpoint the right camera for your needs. The DORI distance is calculated based on sensor specification and lab test result according to EN 62676-4 which defines the criteria for Detect, Observe, Recognize and Identify respectively.

	DORI Definition	Distance
Detect	25px/m (8px/ft)	2.8mm: 43m(140ft) 3.6mm: 57m(187ft) 6mm: 84m(275ft)
Observe	63px/m (19px/ft)	2.8mm: 17m(56ft) 3.6mm: 23m(75ft) 6mm: 34m(110ft)
Recognize	125px/m (38px/ft)	2.8mm: 9m(28ft) 3.6mm: 11m(37ft) 6mm: 17m(55ft)
Identify	250ppm (76px/ft)	2.8mm: 4m(14ft) 3.6mm: 6m(19ft) 6mm: 8m(28ft)

**Pan / Tilt / Rotation**

Pan/Tilt/Rotation	Pan: 0° ~ 360° Tilt: 0° ~ 90° Rotation: 0° ~ 360°
-------------------	---

**Video**

Resolution	1080P (1920×1080)
Frame Rate	25/30fps@1080P, 25/30/50/60fps@720P

Video Output	1-channel BNC high definition video output / CVBS video output (Can switch)
Day/Night	Auto (ICR) / Manual
OSD Menu	Multi-language
BLC Mode	BLC / HLC / DWDR
WDR	DWDR
Gain Control	AGC
Noise Reduction	2D
White Balance	Auto / Manual
Smart IR	Auto / Manual

**IoT Features**

Temperature Detection Range	-40°C ~ +60°C (-40°F ~ +140°F)
Temperature Detection Accuracy	±2°C (±4°F)
Humidity Detection Range	10-95% RH
Humidity Detection Accuracy	±5% RH

**Certifications**

Certifications	CE (EN55032, EN55024, EN50130-4) FCC (CFR 47 FCC Part 15 subpartB, ANSI C63.4-2014) UL (UL60950-1+CAN/CSA C22.2 No.60950-1)
----------------	---

**Interface**

Audio Interface	N/A
-----------------	-----

**Electrical**

Power Supply	12V DC ±30%
Power Consumption	Max 3.4W (12V DC, IR on)

**Environmental**

Operating Conditions	-40°C ~ +60°C (-40°F ~ +140°F) / Less than 90% RH * Start up should be done at above-40°C (-40°F)
Storage Conditions	-40°C ~ +60°C (-40°F ~ +140°F) / Less than 90% RH
Ingress Protection & Vandal Resistance	IP67

**Construction**

Casing	Aluminium
Dimensions	176.1mm×85.4mm×75.2mm (6.93"×3.36"×2.96")
Net Weight	0.40kg (0.88lb)
Gross Weight	0.59kg (1.30lb)

**Ordering Information**

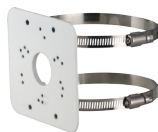
Type	Part Number	Description
2MP Camera	DH-HAC-LC1220TP-TH 2.8mm	2MP HDCVI Temperature & Humidity Camera, PAL
	DH-HAC-LC1220TP-TH 3.6mm	
	DH-HAC-LC1220TP-TH 6mm	
	DH-HAC-LC1220TN-TH 2.8mm	2MP HDCVI Temperature & Humidity Camera, NTSC
	DH-HAC-LC1220TN-TH 3.6mm	
	DH-HAC-LC1220TN-TH 6mm	
Accessories	PFA134	Junction box (For use alone or with PFA152-E pole mount)
	PFA152-E	Pole mount (For use with PFA134 junction box)
	PFM800-E	1 Channel Passive HDCVI Balun
	PFM321	12V 1A Power Adapter
	PFM320D-015	12V 1A Power Adapter
	PFM320	12V 2A Power Adapter

**Accessories**

Optional:



PFA134  
Junction box



PFA152-E  
Pole mount



PFM800-E  
Passive HDCVI Balun



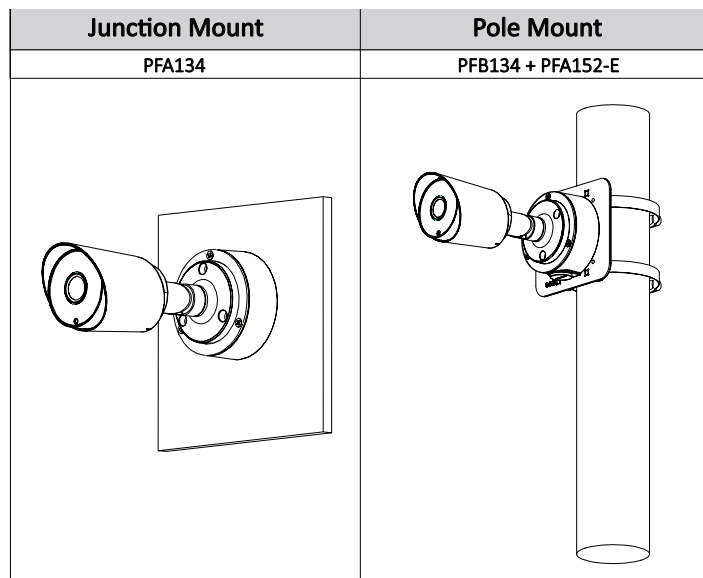
PFM321  
12V 1A Power  
Adapter



PFM320D-015  
Power Adapter



PFM320  
12V 2A Power  
Adapter



**Dimensions (mm/inch)**

